

3. The waveforms of FIGURE 2 were produced by the circuit of FIGURE 3. In FIGURE 3, LAP1 is a Laplace block transfer function.

Match each waveform A,B, C and D with its causing transfer function (1), (2), (3) and (4) given in TABLE A.

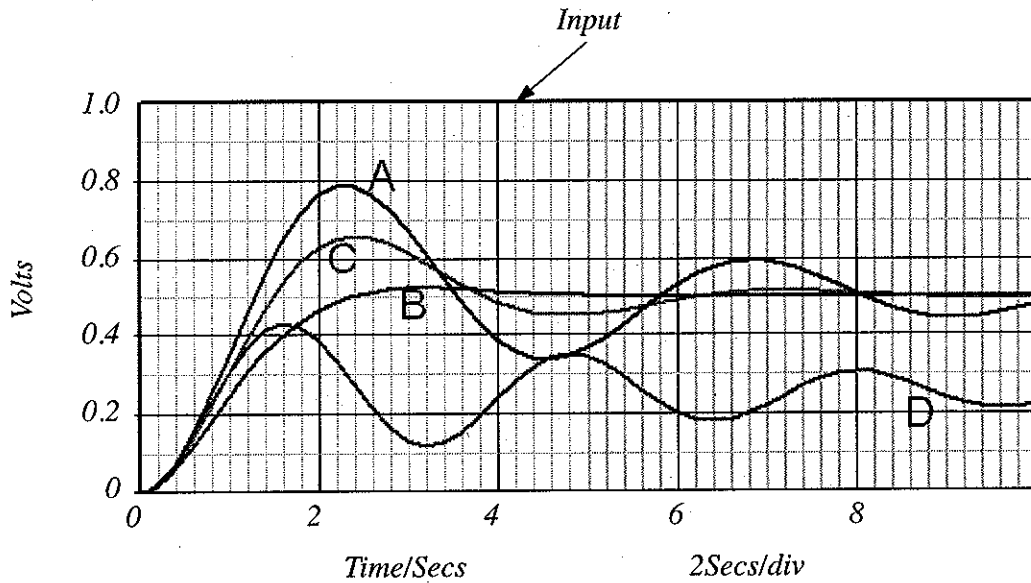


FIG. 2

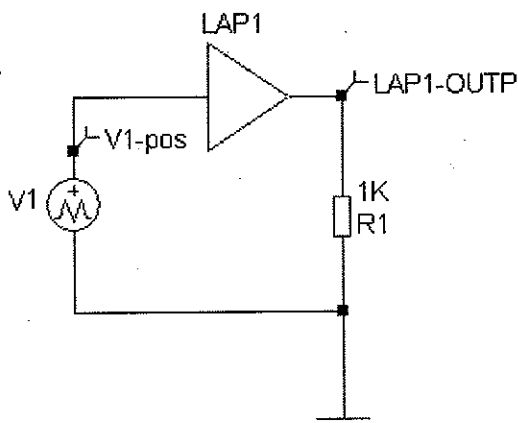


FIG. 3

(1)	$1/(s^2 + 2*s + 2)$
(2)	$1/(s^2 + s + 2)$
(3)	$1/(s^2 + 0.5*s + 2)$
(4)	$1/(s^2 + 0.4*s + 4)$

TABLE A