

Determine the most suitable transistor from TABLE B for use in the circuit of FIGURE 3. You may assume in all cases that the transistor is biased with $V_{BE} = 0.6\text{ V}$. Justify your choice in detail.

Transistor type	Rating		
	V_{CEO} volts	I_C mA	P_{tot} @ 25°C mW
BC107	45	100	300
BC109	20	100	300
BCY88	40	30	150

TABLE B

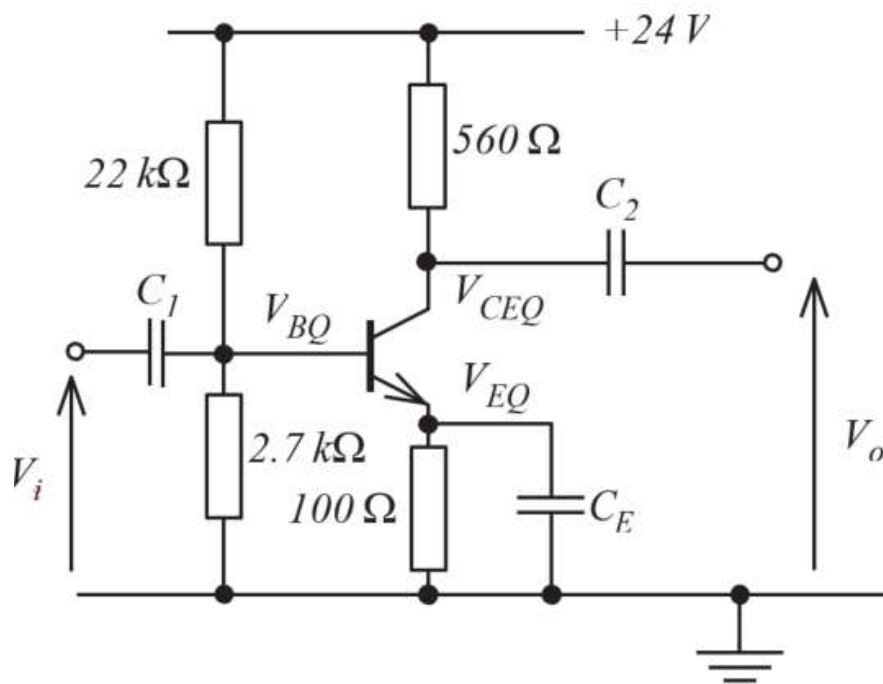


FIG. 3