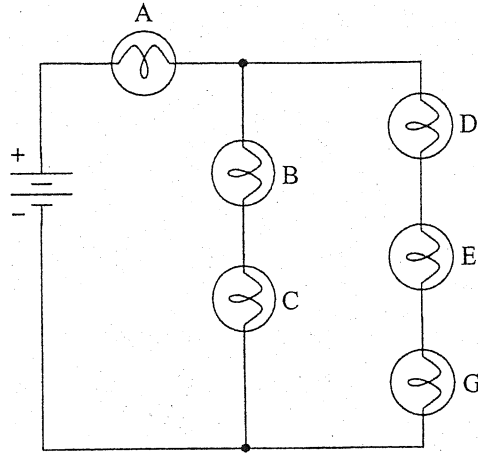


7. The circuit shown contains 6 identical bulbs. Rank the bulbs according to brightness, starting with the brightest bulb(s). If two or more bulbs have equal brightness, indicate with an "=" sign.



8. The circuit shown contains 6 identical bulbs. Rank the bulbs according to brightness, starting with the brightest bulb(s). If two or more bulbs have equal brightness, indicate with an "=" sign.

