

- 1.30 a) In the circuit shown in Fig. P1.30, identify which elements have the voltage and current reference polarities defined using the passive sign convention.
- b) The numerical values of the currents and voltages for each element are given in Table P1.30. How much total power is absorbed and how much is delivered in this circuit?

Figure P1.30

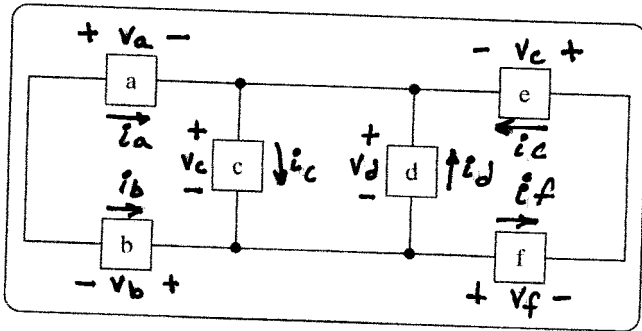


TABLE P1.30

ELEMENT	VOLTAGE (V)	CURRENT (A)
a	-8	7
b	-2	-7
c	10	15
d	10	5
e	-6	3
f	-4	3