

One method of checking calculations involving interconnected circuit elements is to see that the total power delivered equals the total power absorbed (conservation-of-energy principle). With this thought in mind, check the interconnection in Fig. P1.29 and state whether it satisfies this power check. The current and voltage values for each element are given in Table P1.29.

Figure P1.29

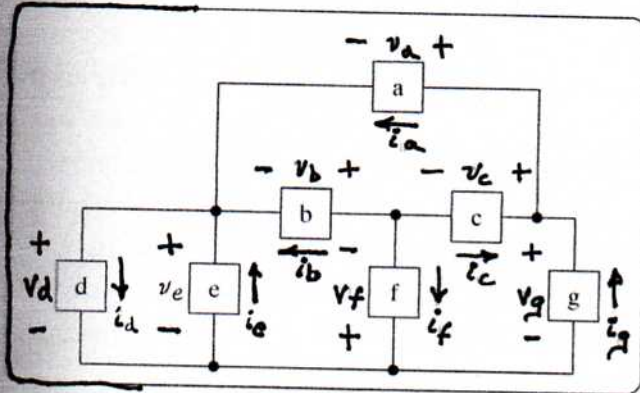


TABLE P1.29

ELEMENT	VOLTAGE (V)	CURRENT (A)
a	-160	-10
b	-100	-20
c	-60	6
d	800	-50
e	800	-20
f	-700	14
g	640	-16