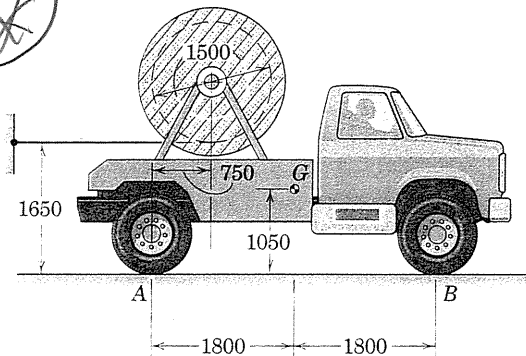


5/103 The truck carries a 1500-mm-diameter spool of cable with a mass of 0.75 kg per meter of length. There are 150 turns on the full spool. The empty spool has a mass of 140 kg with radius of gyration of 530 mm. The truck alone has a mass of 2030 kg with mass center at G . If the truck starts from rest with an initial acceleration of $0.2g$, determine (a) the tension T in the cable where it attaches to the wall and (b) the normal reaction under each pair of wheels. Neglect the rotational inertia of the truck wheels.



Dimensions in millimeters