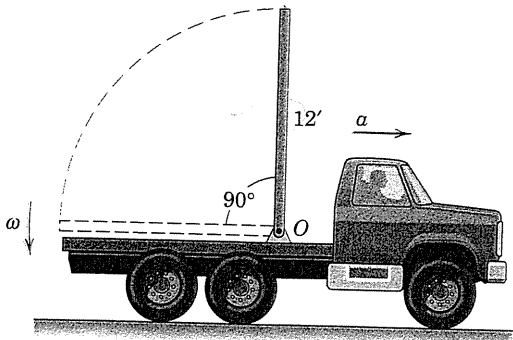


Problem 6/103

6/104 The uniform 12-ft pole is hinged to the truck bed and released from the vertical position as the truck starts from rest with an acceleration of 3 ft/sec^2 . If the acceleration remains constant during the motion of the pole, calculate the angular velocity ω of the pole as it reaches the horizontal position.

**Problem 6/104**