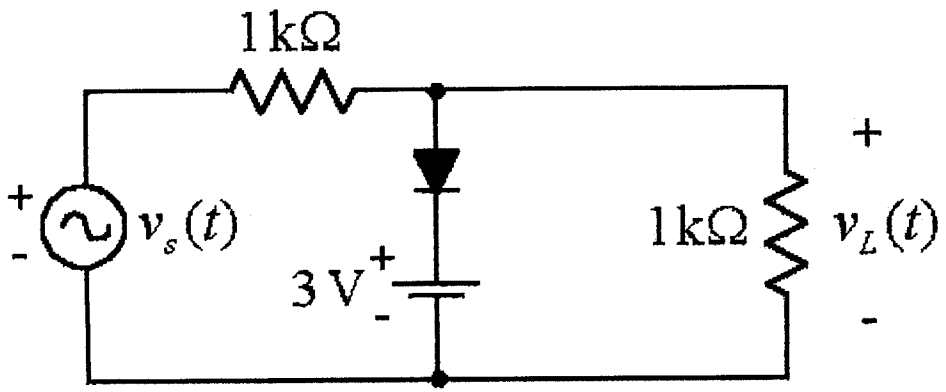


#22

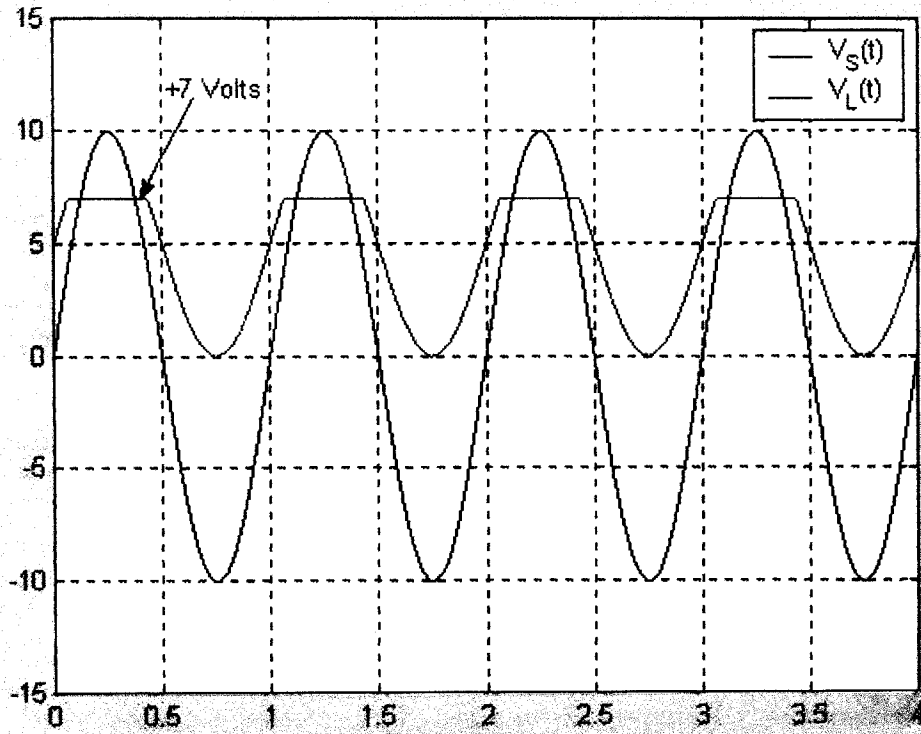
2 (Maybe?)  
EE  
Dye 10  
Pg 44  
Diagram  
Probably "d"

Consider the following circuit. The sinusoidal source voltage is  $v_s(t) = 20 * \sin(2 * \pi * t)$ . The diode is ideal.

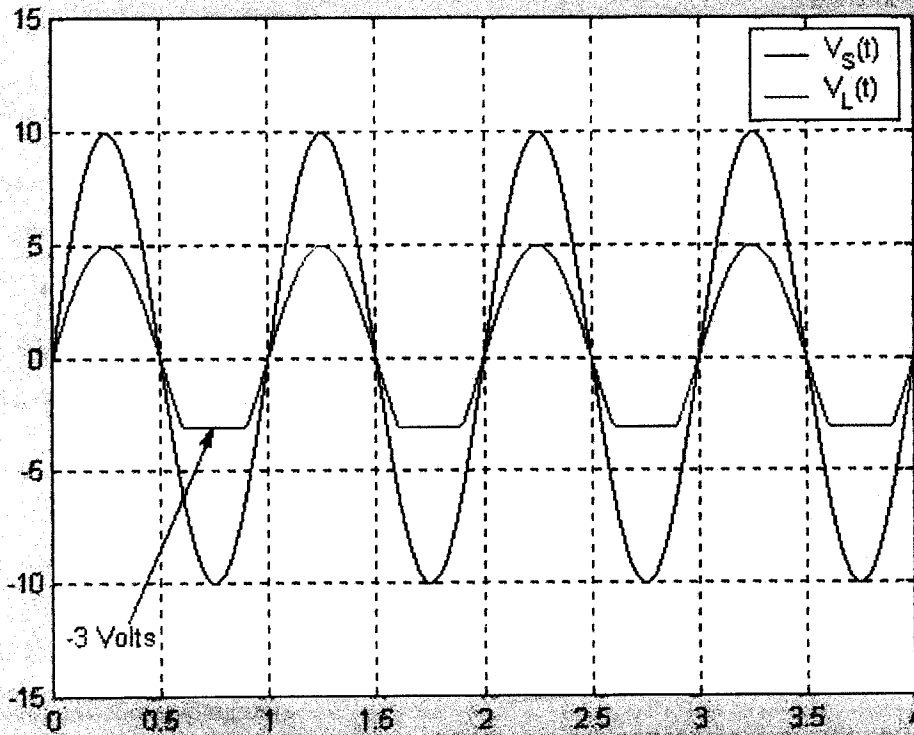
The correct sketch of the source voltage and the load voltage  $v_L(t)$  as a function of time will then be:  
(NOTE: In the following four possible answers, the source voltage is shown in blue and the load voltage is shown in red).



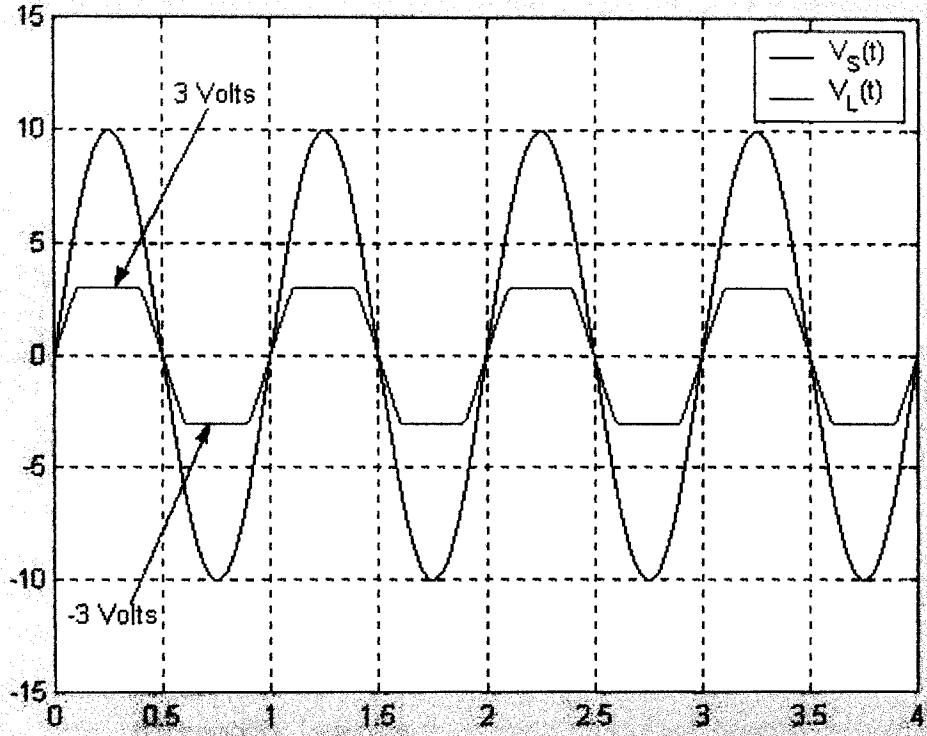
a.



b.



c.



d.

