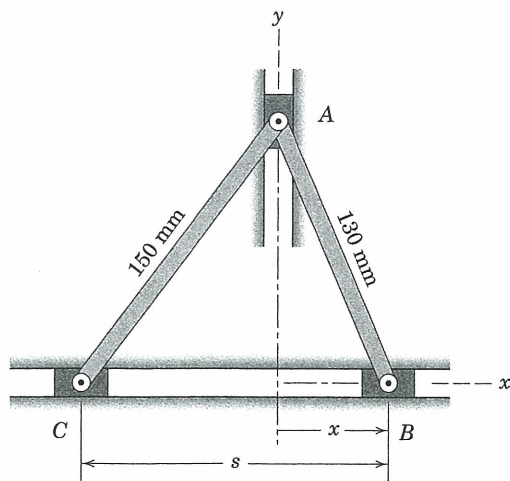


Problem 5/194

5/195 At the instant represented $x = 50$ mm and $\dot{s} = 1.6$ m/s. Determine the corresponding velocity of point B .

Ans. $v_B = 1.029$ m/s



Problem 5/195