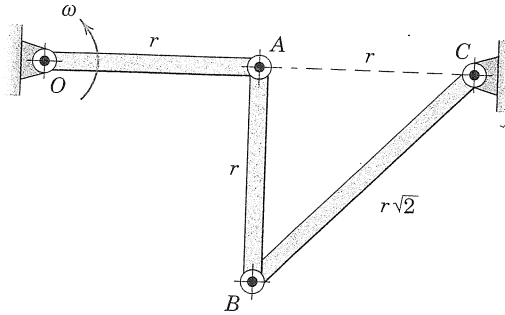


5/137 Link  $OA$  has a constant counterclockwise angular velocity  $\omega$  during a short interval of its motion. For the position shown determine the angular accelerations of  $AB$  and  $BC$ .

Ans.  $\alpha_{AB} = 2\omega^2$ ,  $\alpha_{BC} = 0$



Problem 5/137