

3. Draw the equivalent ladder logic diagram used to implement the hardwired circuit drawn in Figure 5-48, wired using:
- a. A limit switch with a single NO contact connected to the PLC input module
 - b. A limit switch with a single NC contact connected to the PLC input module

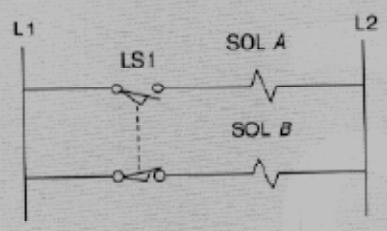


FIGURE 5-48

4. Assuming the hardwired circuit drawn in Figure 5-49 is to be implemented using a PLC program, identify
- a. All input field devices
 - b. All output field devices
 - c. All devices that could be programmed using internal relay instructions

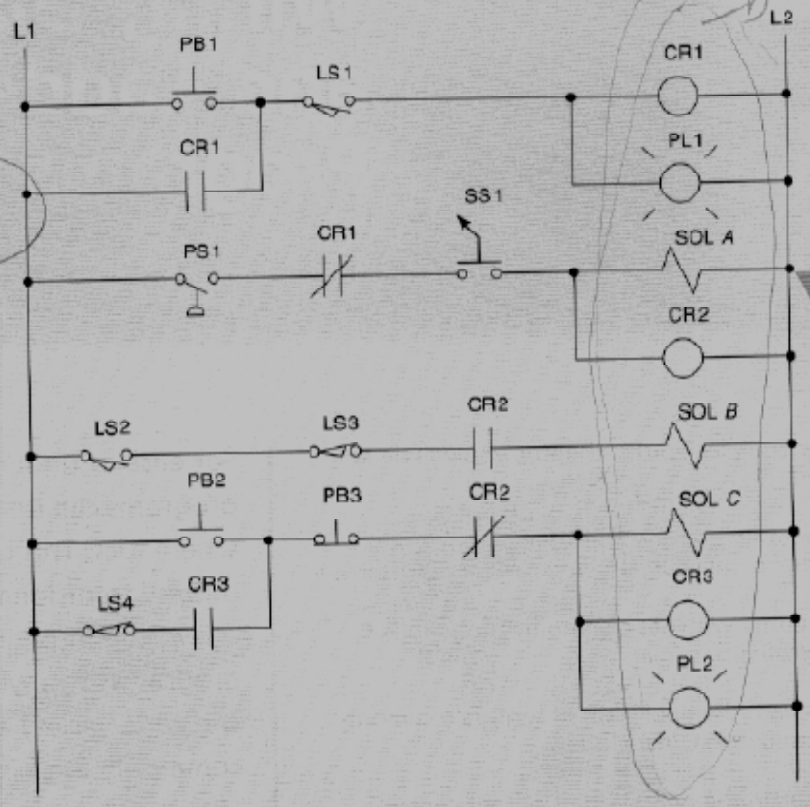


FIGURE 5-49