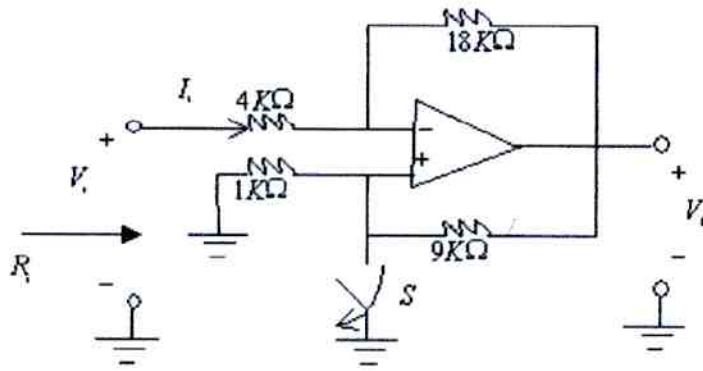


In the operational amplifier circuit shown in the figure, the switch  $s$  is closed first. Open the switch  $s$  and calculate the input impedance  $R_i = V_i/I_i$ . Assume ideal Op-Amp.



- a.  $R_i = 1\text{ Kohms}$
- b.  $R_i = 2\text{ Kohms}$**
- c.  $R_i = 4\text{ Kohms}$
- d.  $R_i = 8\text{ Kohms}$

*ideal? ✓*