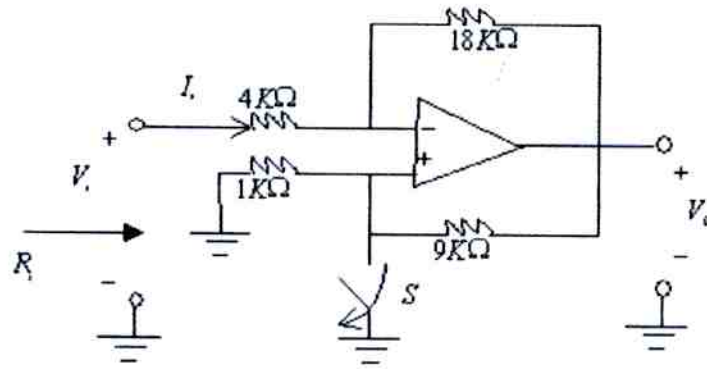


In the operational amplifier circuit shown in the figure, the switch  $s$  is closed first. Open the switch  $s$  and calculate the voltage gain  $V_o/V_i$ . Assume ideal Op-Amp.



- a.  $V_o/V_i = -0.5$
- b.  $V_o/V_i = -10$**
- c.  $V_o/V_i = -15$
- d.  $V_o/V_i = -0.1$