

ATTACHMENT

Showing an object hanging on a spring in air, in water, and in liquid X

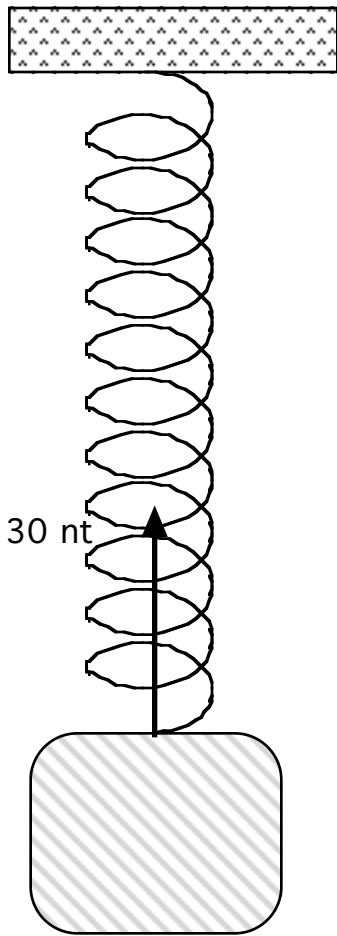


Fig. 1  
IN AIR

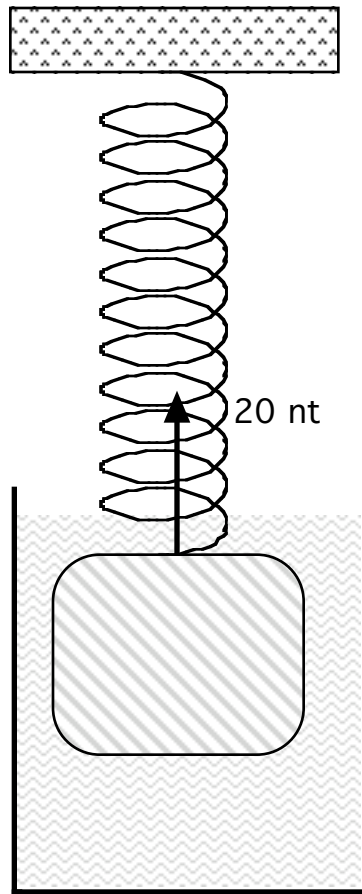


Fig. 2  
IN WATER

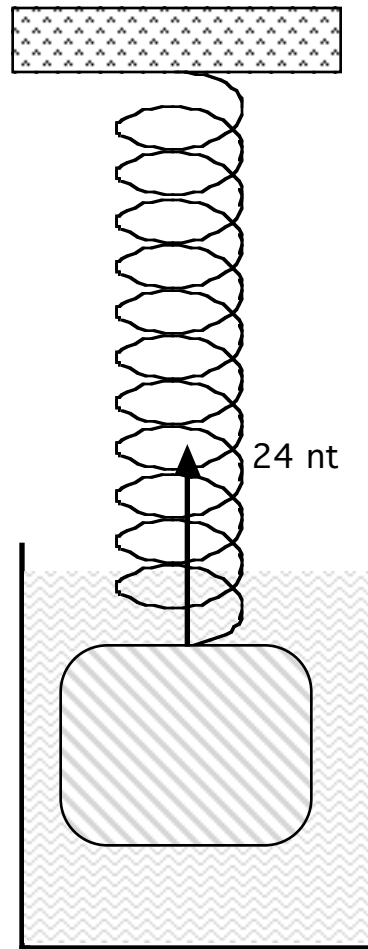


Fig. 3  
IN LIQUID X